

TOSHIBA TRANSISTOR SILICON NPN EPITAXIAL PLANAR TYPE

2SC3607

VHF~UHF BAND LOW NOISE AMPLIFIER APPLICATIONS

Unit in mm

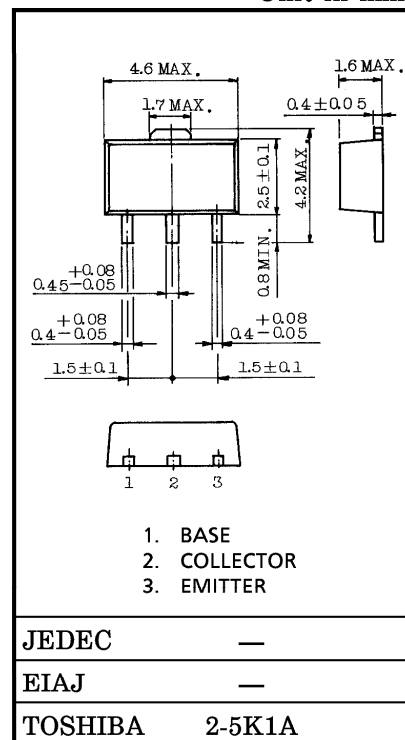
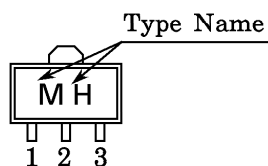
- Low Noise Figure, High Gain.
- $NF = 1.1dB$, $|S_{21e}|^2 = 9.5dB$ ($f = 1GHz$)

MAXIMUM RATINGS ($T_a = 25^\circ C$)

CHARACTERISTIC	SYMBOL	RATING	UNIT
Collector-Base Voltage	V_{CBO}	20	V
Collector-Emitter Voltage	V_{CEO}	12	V
Emitter-Base Voltage	V_{EBO}	3	V
Base Current	I_B	40	mA
Collector Current	I_C	80	mA
Collector Power Dissipation	P_C	400	mW
		(*) 800	
Junction Temperature	T_j	150	$^\circ C$
Storage Temperature Range	T_{stg}	-55~125	$^\circ C$

(*) When mounted ceramic substrate of $250mm^2 \times 0.8t$

Marking



JEDEC —

EIAJ —

TOSHIBA 2-5K1A

Weight : 0.05g

MICROWAVE CHARACTERISTICS ($T_a = 25^\circ C$)

CHARACTERISTIC	SYMBOL	TEST CONDITION	MIN.	TYP.	MAX.	UNIT
Transition Frequency	f_T	$V_{CE} = 10V, I_C = 20mA$	5	6.5	—	GHz
Insertion Gain	$ S_{21e} ^2$ (1)	$V_{CE} = 10V, I_C = 20mA, f = 500MHz$	—	15	—	dB
	$ S_{21e} ^2$ (2)	$V_{CE} = 10V, I_C = 20mA, f = 1GHz$	6	9.5	—	
Noise Figure	NF (1)	$V_{CE} = 10V, I_C = 5mA, f = 1GHz$	—	1.1	—	dB
	NF (2)	$V_{CE} = 10V, I_C = 40mA, f = 1GHz$	—	1.8	3	

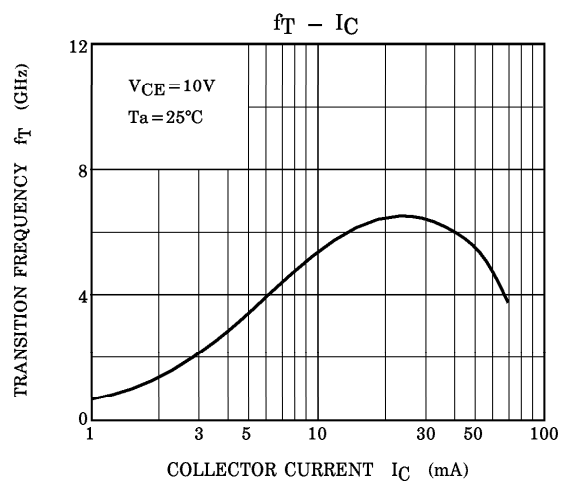
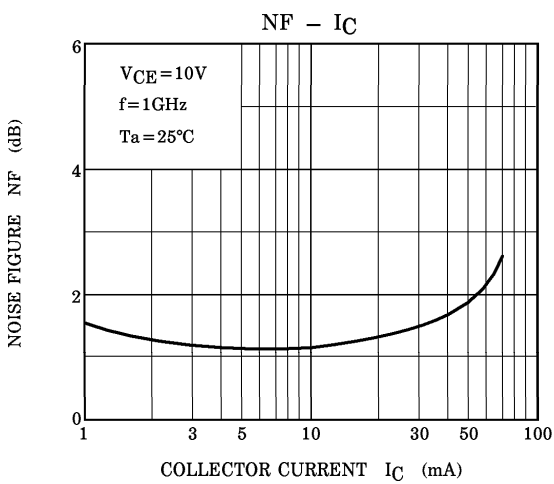
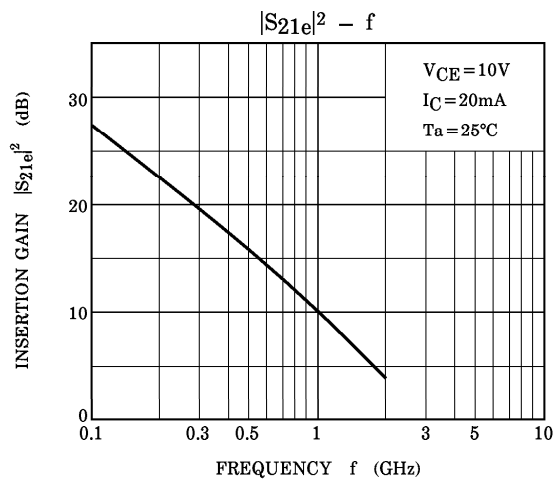
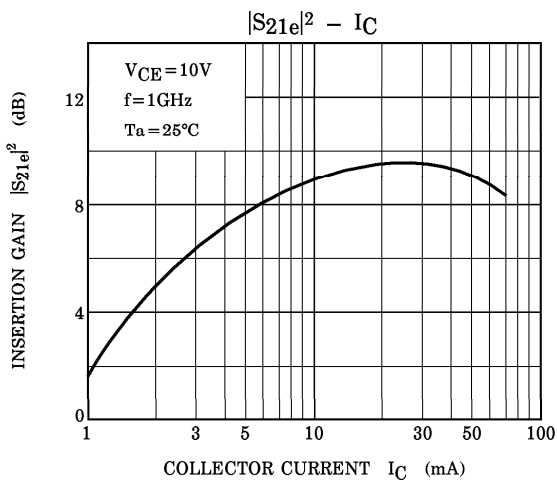
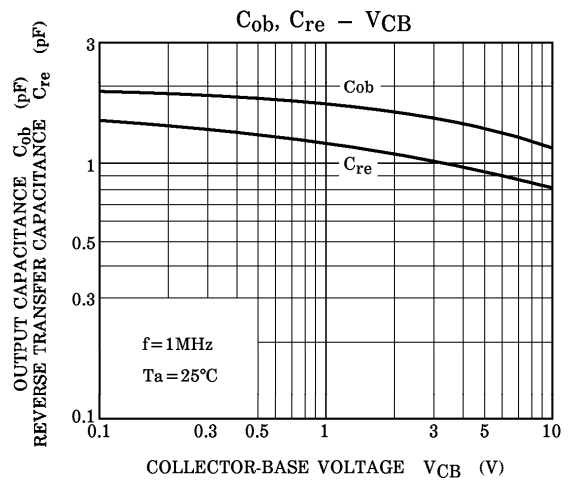
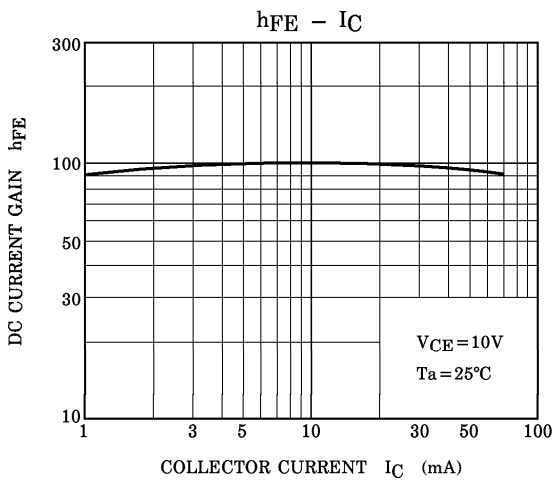
ELECTRICAL CHARACTERISTICS ($T_a = 25^\circ C$)

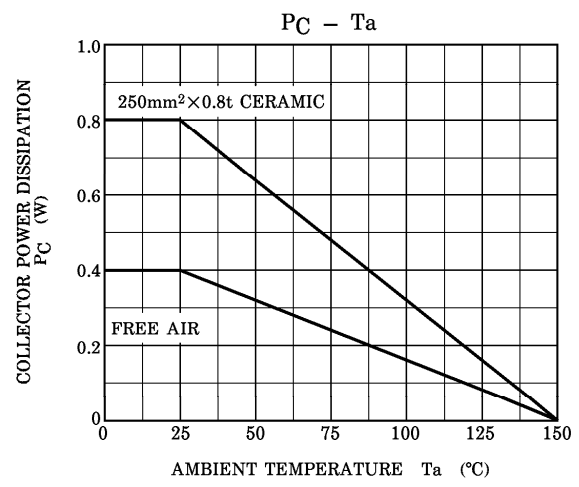
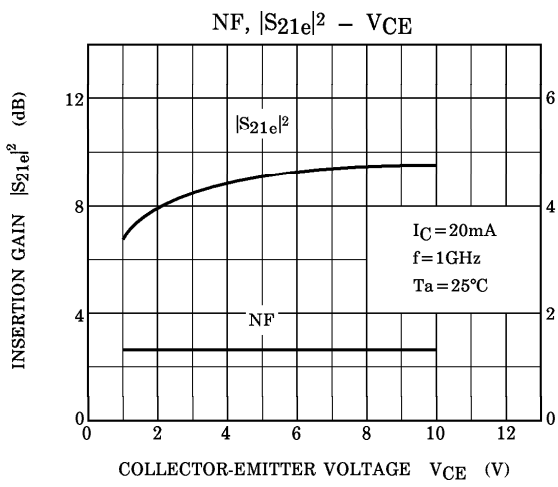
CHARACTERISTIC	SYMBOL	TEST CONDITION	MIN.	TYP.	MAX.	UNIT
Collector Cut-off Current	I_{CBO}	$V_{CB} = 10V, I_E = 0$	—	—	1	μA
Emitter Cut-off Current	I_{EBO}	$V_{EB} = 1V, I_C = 0$	—	—	1	μA
DC Current Gain	h_{FE}	$V_{CE} = 10V, I_C = 20mA$	30	—	250	—
Collector Output Capacitance	C_{ob}	$V_{CB} = 10V, I_E = 0,$	—	1.15	—	pF
Reverse Transfer Capacitance	C_{re}	$f = 1MHz$ (Note)	—	0.8	1.25	

(Note) C_{re} is measured by 3 terminal method with Capacitance Bridge.

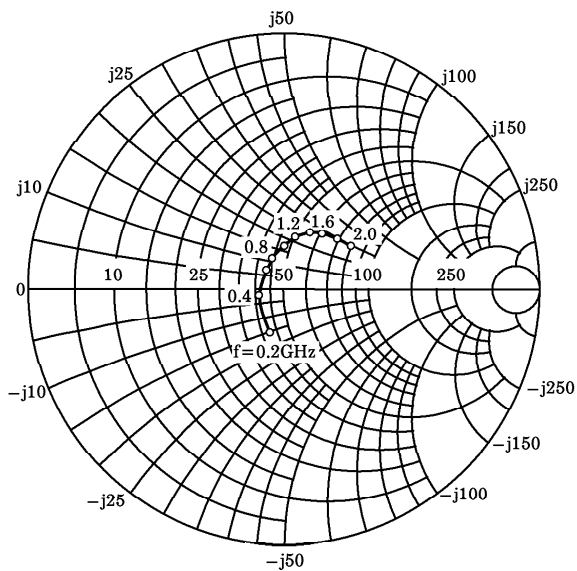
961001EAA2

- TOSHIBA is continually working to improve the quality and the reliability of its products. Nevertheless, semiconductor devices in general can malfunction or fail due to their inherent electrical sensitivity and vulnerability to physical stress. It is the responsibility of the buyer, when utilizing TOSHIBA products, to observe standards of safety, and to avoid situations in which a malfunction or failure of a TOSHIBA product could cause loss of human life, bodily injury or damage to property. In developing your designs, please ensure that TOSHIBA products are used within specified operating ranges as set forth in the most recent products specifications. Also, please keep in mind the precautions and conditions set forth in the TOSHIBA Semiconductor Reliability Handbook.
- The information contained herein is presented only as a guide for the applications of our products. No responsibility is assumed by TOSHIBA CORPORATION for any infringements of intellectual property or other rights of the third parties which may result from its use. No license is granted by implication or otherwise under any intellectual property or other rights of TOSHIBA CORPORATION or others.
- The information contained herein is subject to change without notice.

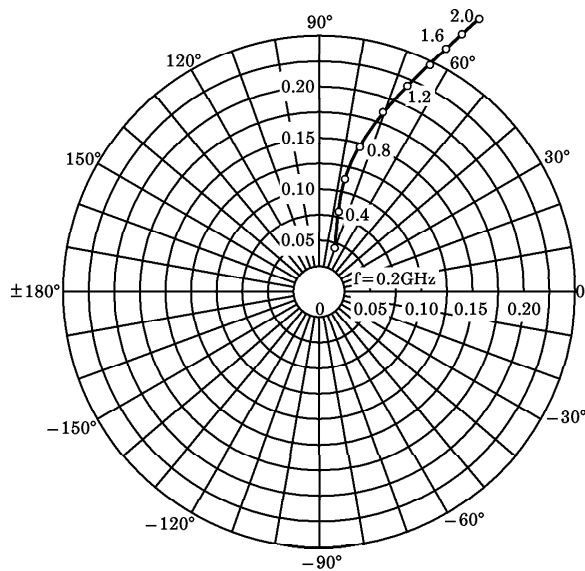




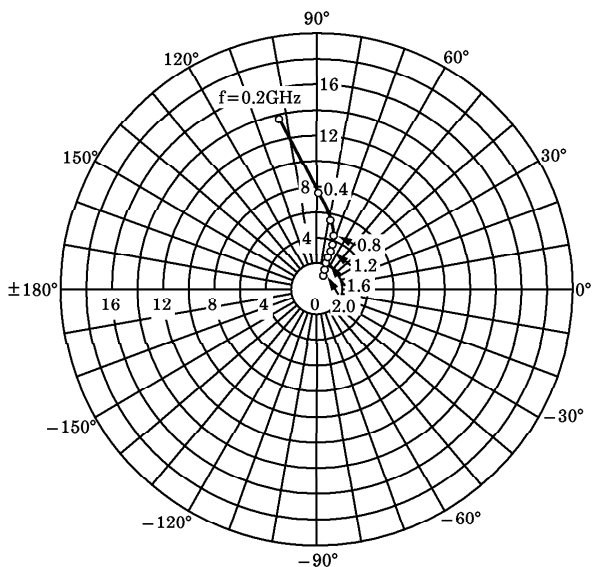
S_{11e}
 V_{CE} = 10V
 I_C = 20mA
 T_a = 25°C
 (UNIT : Ω)



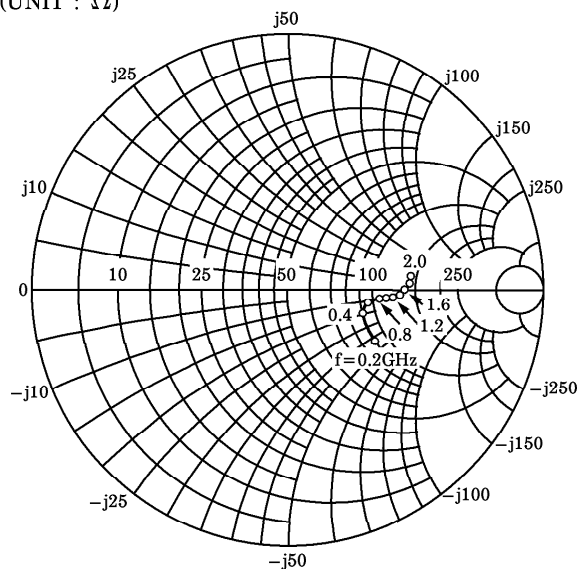
S_{12e}
 V_{CE} = 10V
 I_C = 20mA
 T_a = 25°C



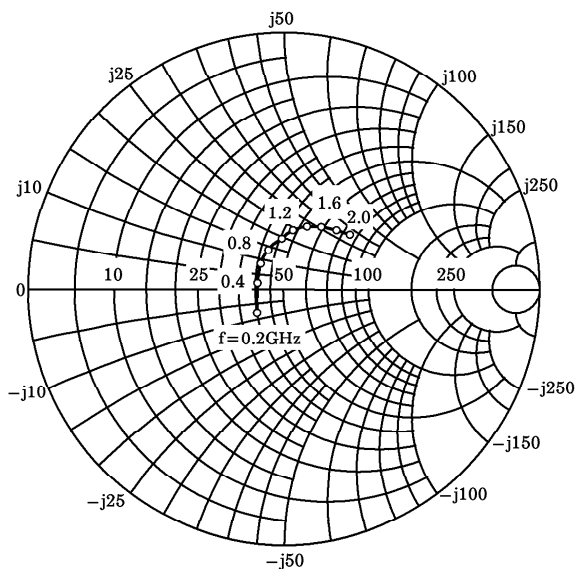
S_{21e}
 V_{CE} = 10V
 I_C = 20mA
 T_a = 25°C



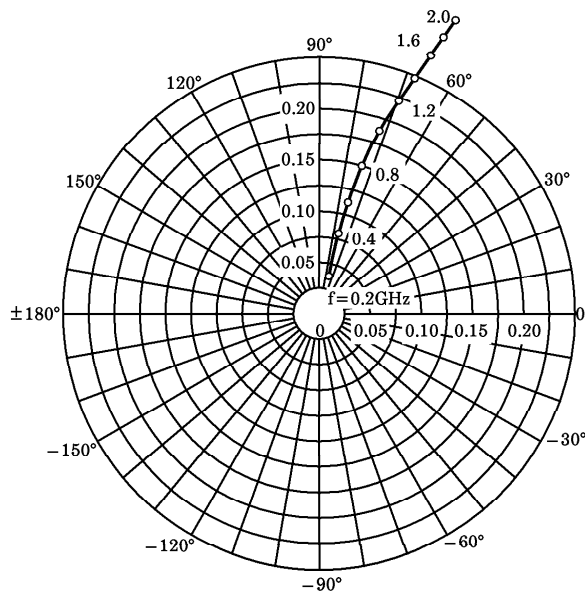
S_{22e}
 V_{CE} = 10V
 I_C = 20mA
 T_a = 25°C
 (UNIT : Ω)



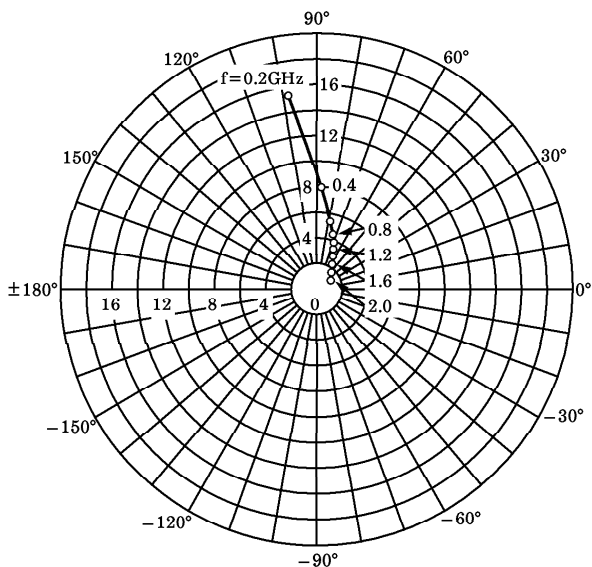
S_{11e}
 V_{CE} = 10V
 I_C = 40mA
 T_a = 25°C
 (UNIT : Ω)



S_{12e}
 V_{CE} = 10V
 I_C = 40mA
 T_a = 25°C



S_{21e}
 V_{CE} = 10V
 I_C = 40mA
 T_a = 25°C



S_{22e}
 V_{CE} = 10V
 I_C = 40mA
 T_a = 25°C
 (UNIT : Ω)

